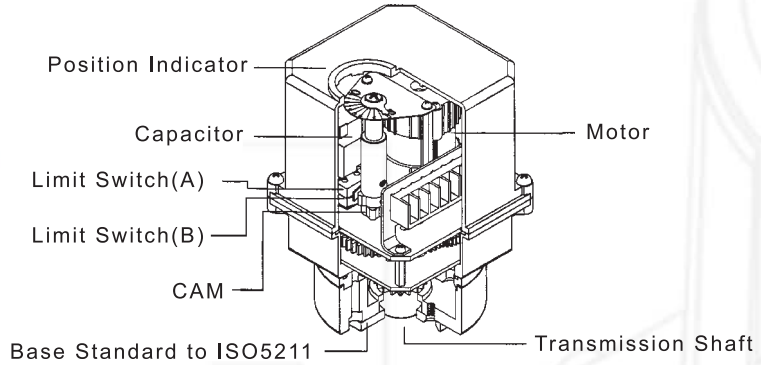


UM-2 Direct Mount Series

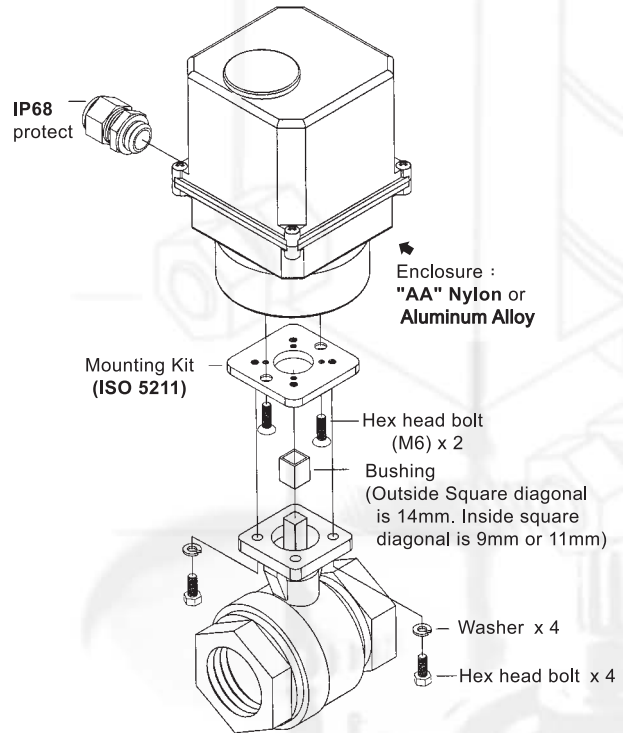
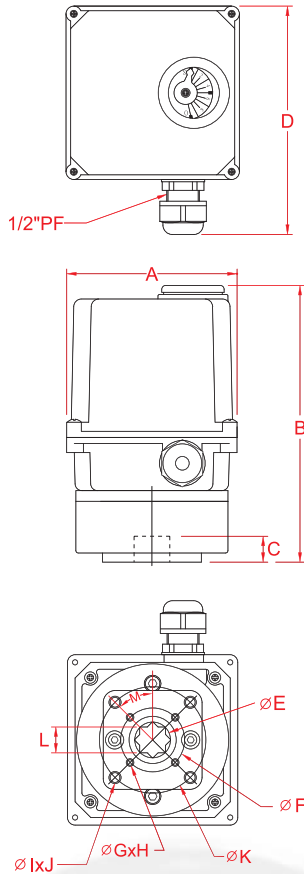


Weight : 2.3 kg



Specification	Speed(sec)			Output Troque Kgf-cm				
	110VAC	220VAC	24VDC	AC	DC	110VAC	220VAC	24VDC
Power	110VAC	220VAC	24VDC	AC	DC	110VAC	220VAC	24VDC
10W	0.4A	0.25A	0.5A	20	30	480	502	622
15W	0.8A	0.5A	N/A	20	N/A	655	677	N/A

The Size Of Valve			
Screwed Ends	Flanged Ends	Butterfly Valve	3-Way Valve
1" ~ 2"	1 1/4" ~ 2"	2" ~ 3"	1 1/4" ~ 1 1/2"



Mounting Pattern:

mounting pattern	bore distance (P.C.D)	Hex head bolt size
A	∅ 36 (P.C.D)	M5 x P0.8 x 12L
	∅ 50 (P.C.D)	M6 x P1.0 x 15L
B	∅ 42 (P.C.D)	M5 x P0.8 x 12L
	∅ 70 (P.C.D)	M8 x P1.2 x 15L

Dimension (mm)	A	B	C	D	E	F	G	H	I	J	K	L	M	ISO 5211
Model														
UM-2	112	185	19.5	148	23.5	42	M5	4	M8	4	70	17	45*	F04 / F07